

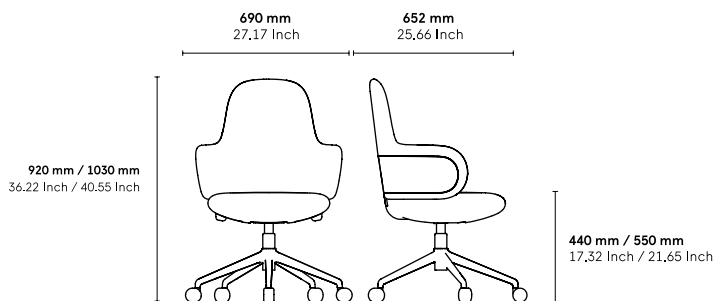
Lan standard back 5 legs

Design by Iratzoki Lizaso



The functional characteristics of the Lan chair are inconspicuous: the mechanism disappears under the seat and the armrests form an integral part of the backrest. Meticulous work has been carried out on the shape, the contact zones and the choice of materials in order to create a congenial and comfortable object. Wood, Alki's favourite material, is used in both inside and outside the seat.

DIMENSIONS:



CATEGORY:

Office chair

ENVIRONMENT:

Indoor

APPLICATIONS:

- CHR
- Public
- Office

WEIGHT: 18,5 kg

MATERIALS:

5 legs swivel with castors, white or black matt finish and jack for adjustment (440 mm to 540 mm). Mechanism for adjusting and lock the backrest angle max 29°. Injected foam and fully upholstered for an optimal comfort. Wooden shell in oak veneer, seat fully upholstered.

IN OPTION: CMHR foam (non fire)

MADE TO ORDER: Finishes and upholsteries, page 2

SPARE PARTS: N/A

ACCESSORIES: N/A

ASSEMBLED PRODUCT: Yes

COM UPHOLSTERY:

Upon request and under alki's confirmation.

CLEANING AND CARE INSTRUCTIONS:

Dry cloth. To avoid aerosol and spray products with silicone. For upholstery versions please find cleaning instructions for selected fabric at kvadrat.dk, gabriel.dk, anticcuir.com and hornschurch.com

DOWNLOADS:

3D and 2D files are available at alki.fr – images bank section.

LAN COLLECTION:



CERTIFICATES AND SUSTAINABILITY:

European standard: UNE-EN 1535-1: 2001/AC ET UNE-EN - 1535-2:2019

Non contractual document - modifiable without previous notice.

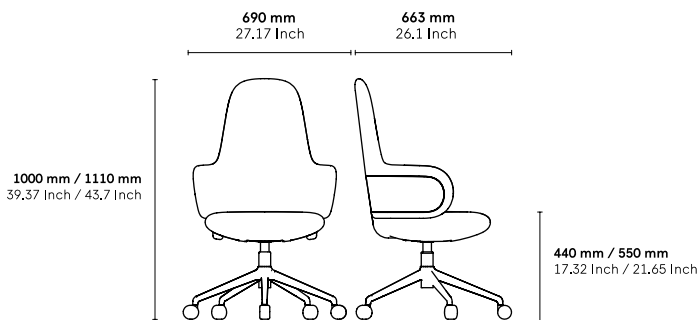
Lan high back 5 legs

Design by Iratzoki Lizaso



The functional characteristics of the Lan chair are inconspicuous: the mechanism disappears under the seat and the armrests form an integral part of the backrest. Meticulous work has been carried out on the shape, the contact zones and the choice of materials in order to create a congenial and comfortable object. Wood, Alki's favourite material, is used in both inside and outside the seat.

DIMENSIONS:



CATEGORY:

Office chair

ENVIRONMENT:

Indoor

APPLICATIONS:

- CHR
- Public
- Office

WEIGHT: 20 kg

MATERIALS:

5 legs swivel with castors, white or black matt finish and jack for adjustment (440 mm to 540 mm). Mechanism for adjusting and lock the backrest angle max 29°. Injected foam and fully upholstered for an optimal comfort. Wooden shell in oak veneer, seat fully upholstered.

IN OPTION: CMHR foam (non fire)

MADE TO ORDER: Finishes and upholsteries, page 2

SPARE PARTS: N/A

ACCESSORIES: N/A

ASSEMBLED PRODUCT: Yes

COM UPHOLSTERY:

Upon request and under alki's confirmation.

CLEANING AND CARE INSTRUCTIONS:

Dry cloth. To avoid aerosol and spray products with silicone. For upholstery versions please find cleaning instructions for selected fabric at kvadrat.dk, gabriel.dk, anticcuir.com and hornschurch.com

DOWNLOADS:

3D and 2D files are available at alki.fr – images bank section.

LAN COLLECTION:



CERTIFICATES AND SUSTAINABILITY:

European standard: UNE-EN 1535-1: 2001/AC ET UNE-EN - 1535-2:2019

Non contractual document - modifiable without previous notice.

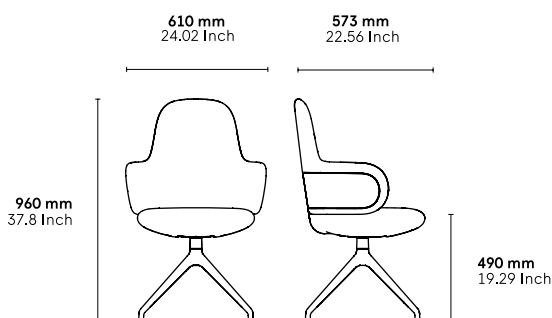
Lan standard back 4 legs

Design by Iratzoki Lizaso



The functional characteristics of the Lan chair are inconspicuous: the mechanism disappears under the seat and the armrests form an integral part of the backrest. Meticulous work has been carried out on the shape, the contact zones and the choice of materials in order to create a congenial and comfortable object. Wood, Alki's favourite material, is used in both inside and outside the seat.

DIMENSIONS:



CATEGORY:

Office chair

ENVIRONMENT:

Indoor

APPLICATIONS:

- CHR
- Public
- Office

WEIGHT: 18,5 kg

MATERIALS:

4 stars swivel leg, white or black matt finish.
Integrated mechanism for back rest adjustment, max 12°.
Injected foam and fully upholstered for an optimal comfort.
Wooden shell in oak veneer.

IN OPTION: CMHR foam (non fire)

MADE TO ORDER: Finishes and upholsteries, page 2

SPARE PARTS: N/A

ACCESSORIES: N/A

ASSEMBLED PRODUCT: Yes

COM UPHOLSTERY:

Upon request and under alki's confirmation.

COM 2,00 x 1,40 mts / 1 chairs

COL 5m² / 1,5 chairs

CLEANING AND CARE INSTRUCTIONS:

Dry cloth. To avoid aerosol and spray products with silicone. For upholstery versions please find cleaning instructions for selected fabric at kvadrat.dk, gabriel.dk, anticcuir.com and hornschurch.com

DOWNLOADS:

3D and 2D files are available at alki.fr – images bank section.

LAIA COLLECTION:



CERTIFICATES AND SUSTAINABILITY:

European standard: NF EN 1335-1

Non contractual document - modifiable without previous notice.

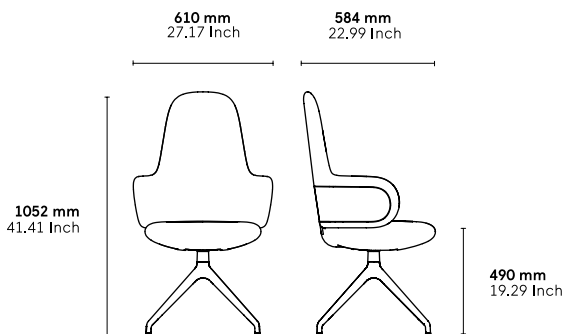
Lan high back 4 legs

Design by Iratzoki Lizaso



The functional characteristics of the Lan chair are inconspicuous: the mechanism disappears under the seat and the armrests form an integral part of the backrest. Meticulous work has been carried out on the shape, the contact zones and the choice of materials in order to create a congenial and comfortable object. Wood, Alki's favourite material, is used in both inside and outside the seat.

DIMENSIONS:



CATEGORY:

Office chair

ENVIRONMENT:

Indoor

APPLICATIONS:

- CHR
- Public
- Office

WEIGHT: 20 kg

MATERIALS:

4 stars swivel leg, white or black matt finish.
Integrated mechanism for back rest adjustment, max 12°.
Injected foam and fully upholstered for an optimal comfort.
Wooden shell in oak veneer.

IN OPTION: CMHR foam (non fire)

MADE TO ORDER: Finishes and upholsteries, page 2

SPARE PARTS: N/A

ACCESSORIES: N/A

ASSEMBLED PRODUCT: Yes

COM UPHOLSTERY:

Upon request and under alki's confirmation.

COM 2,00 x 1,40 mts / 1 chairs

COL 5m² / 1,5 chairs

CLEANING AND CARE INSTRUCTIONS:

Dry cloth. To avoid aerosol and spray products with silicone. For upholstery versions please find cleaning instructions for selected fabric at kvadrat.dk, gabriel.dk, anticcuir.com and hornschurch.com

DOWNLOADS:

3D and 2D files are available at alki.fr – images bank section.

LAIA COLLECTION:



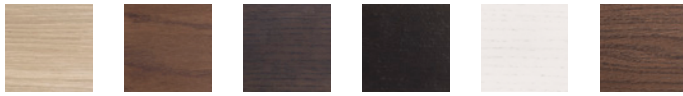
CERTIFICATES AND SUSTAINABILITY:

European standard: NF EN 1335-1

Non contractual document - modifiable without previous notice.

Finishes

Wood



Natural Oak | Ash Grey Oak | Tourbe Oak | Carbon Oak | White Stained Oak | Walnut Stained Oak

Leather

G4: Gracia



Gracia 917 | Gracia 902 | Gracia 903 | Gracia 908 | Gracia 911 | Gracia 920
 Gracia 924 | Gracia 925 | Gracia 929 | Gracia 930 | Gracia 941 | Gracia 943
 Gracia 944 | Gracia 945 | Gracia 950 | Gracia 967

Eco Leather

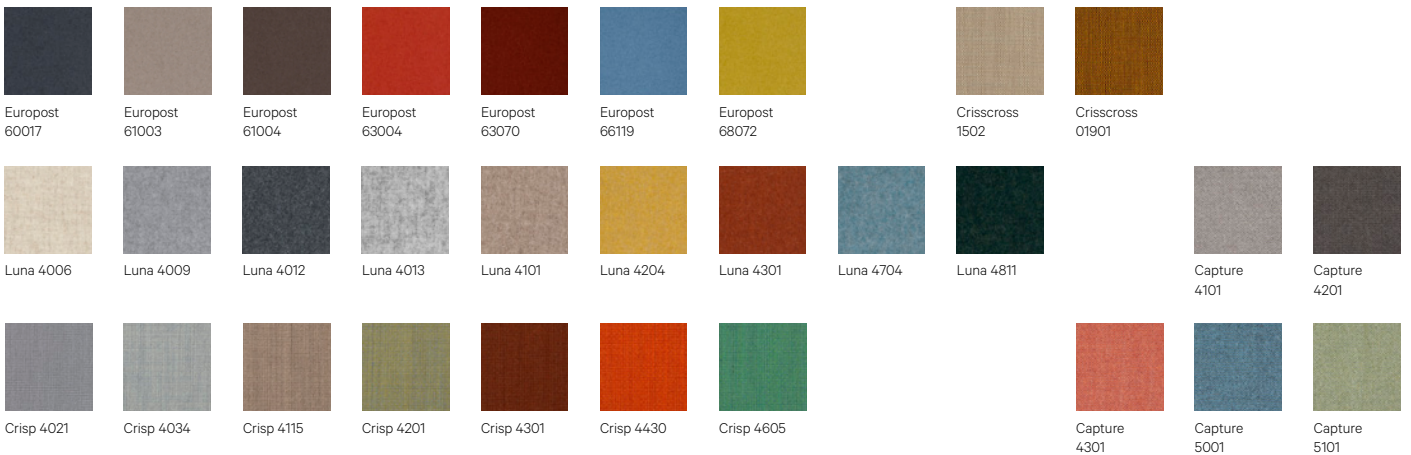
G1: Palma | G2: Palma NF



Palma Silver Grey | Palma NF Baltic | Palma NF Perle | Palma Mimosa | Palma NF Birke
 Palma NF Smoke | Palma Fango | Palma Olivbraun | Palma NF Kenia | Palma NF Inka
 Palma Whisky | Palma Lachs | Palma NF Antrazit | Palma NF Schwartz

Fabrics by Gabriel

G1: Europost, Crisp, Capture | G2: Crisscross | G3: Luna



Europost 60017 | Europost 61003 | Europost 61004 | Europost 63004 | Europost 63070 | Europost 66119 | Europost 68072 | Crisscross 1502 | Crisscross 01901
 Luna 4006 | Luna 4009 | Luna 4012 | Luna 4013 | Luna 4101 | Luna 4204 | Luna 4301 | Luna 4704 | Luna 4811 | Capture 4101 | Capture 4201
 Crisp 4021 | Crisp 4034 | Crisp 4115 | Crisp 4201 | Crisp 4301 | Crisp 4430 | Crisp 4605 | Capture 4301 | Capture 5001 | Capture 5101

Fabrics by Kvadrat

G1: Remix | G2: Molly, Canvas | G3: Steelcut Trio



Steelcut Trio 113 | Steelcut Trio 124 | Steelcut Trio 416 | Steelcut Trio 453 | Steelcut Trio 515 | Molly 112 | Molly 114 | Molly 152 | Molly 194
 Canvas 154 | Canvas 414 | Remix 173 | Remix 252 | Remix 412 | Remix 422 | Remix 612 | Remix 873 | Remix 982