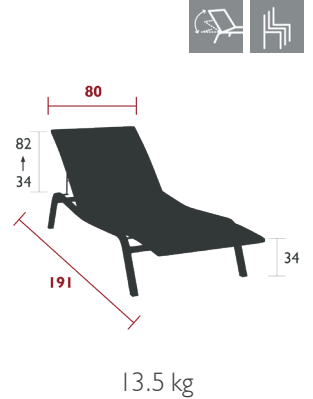


8906 - SUNLOUNGER
DESIGN BY PASCAL MOURGUE

DOMESTIC | PROFESSIONAL | INTENSIVE | 10 IPAC | 7



Tubular aluminium frame
 Duo or Stereo OTF Batyline® outdoor fabric bed - high-tenacity
 100% polyester thread coated in solution-dyed PVC
 Adjustable backrest 5 positions (34-57-68-76-82 cm)
 Adjustment system : stainless steel wire
 Adjustable footrest 2 positions
 Zero gravity position available
 Integrated wheels
 Stacking capacity: x 15 (Height – stacked: 141 cm)
 See inside cover for available colours
 Compatible with:
 HEADREST 44 X 15 X 5.5 CM - COLOR MIX
 PROTECTIVE COVER FOR SUNLOUNGERS - ALIZÉ



The **“zero-gravity”** position, as found on the Alizé sunlounger, is **perfect for relaxing** and is widely recommended by medical professionals. It is this position, with the legs positioned slightly above the heart, that the body adopts in a weightless state. The position was named by NASA in the 1970s. The sensation of gravity is reduced seven-fold, similar to when the body is floating in water.



The legs are raised and the thighs and trunk form an angle of 127 degrees, thereby :

- Significantly easing pressure on the lower back and spine.
- Reducing tension in the lower back muscles.
- Promoting improved blood flow in the legs and reducing strain on the heart.
- Freeing up the rib cage and allowing the lungs to expand, which improves oxygenation.

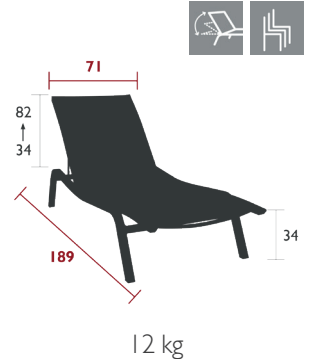
Zero gravity is reached by raising the feet (7°) and raising the backrest to the maximum (45°).

8911 - XS SUNLOUNGER
DESIGN BY PASCAL MOURGUE

DOMESTIC | PROFESSIONAL | INTENSIVE | 10 IPAC | 7



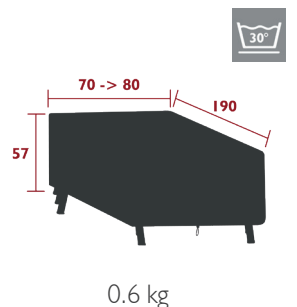
Tubular aluminium frame
 Duo or Stereo OTF Batyline® outdoor fabric bed - high-tenacity
 100% polyester thread coated in solution-dyed PVC
 Adjustable backrest 3 positions (34-68-82 cm)
 Adjustment system : painted steel wire
 Fixed footrest
 Stacking capacity: x 15 (Height – stacked: 141 cm)
 See inside cover for available colours
 Compatible with:
 HEADREST 44 X 15 X 5.5 CM - COLOR MIX
 PROTECTIVE COVER FOR SUNLOUNGERS - ALIZÉ



8970 - PROTECTIVE COVER FOR SUNLOUNGERS



Fabric polyester
 Storage capacity: 2-5 sunloungers
 Ties to hold the cover in place
 Compatible with:
 XS SUNLOUNGER - ALIZÉ
 SUNLOUNGER - ALIZÉ



897054 ● Grey

SALIZÉ, ACCROCHE-COEURS, PIAPOLO, BALAD, COLOR MIX & TRÉFLE

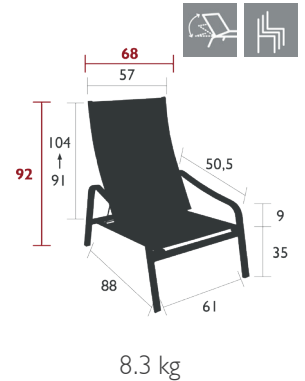


8907 - LOW ARMCHAIR
DESIGN BY PASCAL MOURGUE

DOMESTIC | PROFESSIONAL | INTENSIVE | 10 IPAC | 7



Tubular aluminium frame
 Duo or Stereo OTF Batyline® outdoor fabric seat - high-tenacity 100% polyester thread coated in solution-dyed PVC
 Duo or Stereo OTF Batyline® outdoor fabric backrest - high-tenacity 100% polyester thread coated in solution-dyed PVC
 Aluminium tubular armrests
 Adjustable backrest 2 positions (91-104 cm)
 Adjustment system : stainless steel wire
Stacking capacity: x 10 (Height – stacked: 161 cm)
 See inside cover for available colours
Compatible with:
 FOOTREST - ALIZÉ

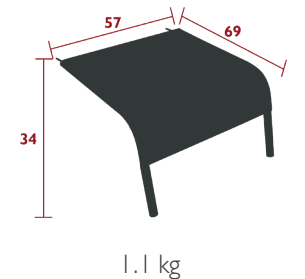


8918 - FOOTREST
DESIGN BY PASCAL MOURGUE

DOMESTIC | PROFESSIONAL | INTENSIVE | 10 IPAC | 7



Duo or Stereo OTF Batyline® outdoor fabric - high-tenacity 100% polyester thread coated in solution-dyed PVC
 Tubular aluminium base
 Can be stored under the low armchair
 See inside cover for available colours
Compatible with:
 LOW ARMCHAIR - ALIZÉ

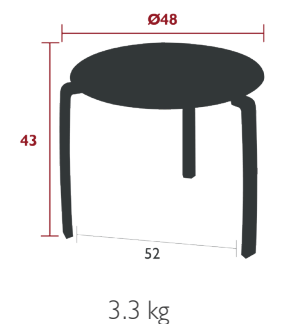


8960 - LOW TABLE
DESIGN BY PASCAL MOURGUE

DOMESTIC | PROFESSIONAL | INTENSIVE | 10 IPAC | 23



Aluminium sheet table top
 Tubular aluminium base
Stacking capacity: x 20 (Height – stacked: 116 cm)



8961 - OFFSET LOW TABLE
DESIGN BY PASCAL MOURGUE

DOMESTIC | PROFESSIONAL | INTENSIVE | 10 IPAC | 23



Aluminium sheet table top
 Tubular aluminium base

