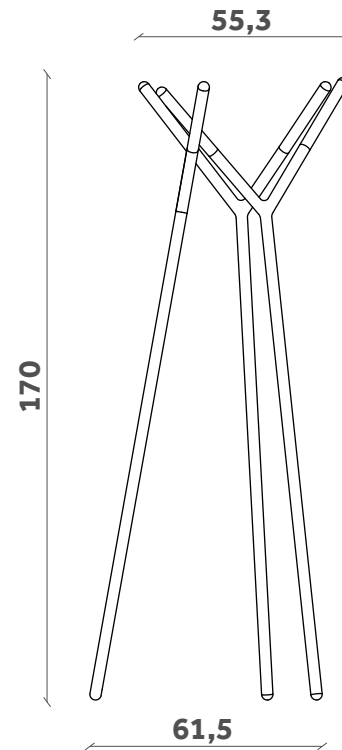


GAME OF TRUST

Appendiabiti/Coat rack

Design Yiannis Ghikas

AP 10



FINITURE / FINISHES

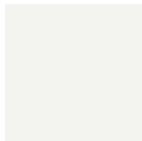
Struttura Structure

Legno / Wood



Beech

Laccati / Lacquer



White
Ral: 9016



Silk Gray
Ral: 7044



Dusty Gray
Ral: 7037



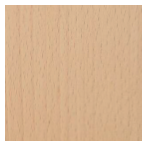
Black
Ral: 9005



Intense Blue
NCS S-6020 R-80B

Elementi terminali Terminals

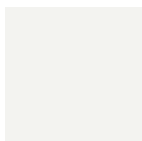
Legno / Wood



Beech*

*Only with beech wooden structure

Laccati / Lacquer



White
Ral: 9016



Silk Gray
Ral: 7044



Dusty Gray
Ral: 7037



Black
Ral: 9005



Intense Blue
NCS S-6020 R-80B