

Lasai Armchair

Design by Jean Louis Iratzoki



The Lasai armchair has a structure in Solid oak. Back and seat are in high-density foam upholstered in fabric, leather or eco-leather. It is available in single or double seat.

CATEGORY:

Lounge

ENVIRONMENT:

Indoor

APPLICATIONS:

- CHR
- Public
- Office

WEIGHT: 15,5 kg

MATERIALS:

Solid oak structure. Back and seat in high density foam upholstered in fabric, leather or eco leather.

IN OPTION: CMHR foam (non fire)

MADE TO ORDER: Finishes and upholsteries, page 2

ACCESSORIES: No

ASSEMBLED PRODUCT: Yes

COM/COL UPHOLSTERY:

Upon request and under alki's confirmation.

REMOVABLE PRODUCT: No

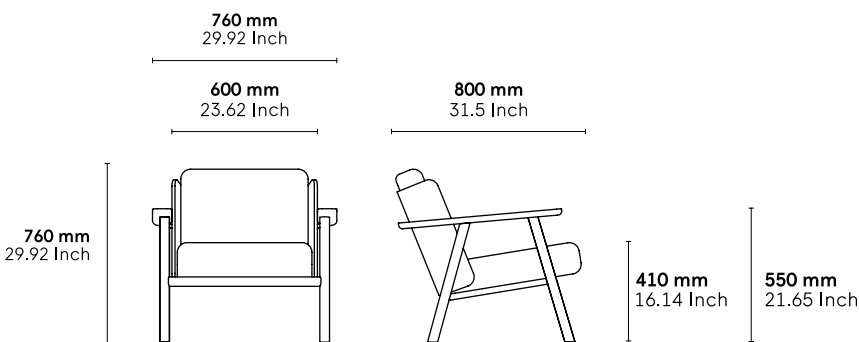
CLEANING AND CARE INSTRUCTIONS:

Dry cloth. To avoid aerosol and spray products with silicone. For upholstery versions please find cleaning instructions for selected fabric at kvadrat.dk, gabriel.dk, anticcuir.com and hornschuch.com

DOWNLOADS:

3D and 2D files are available at alki.fr – images bank section.

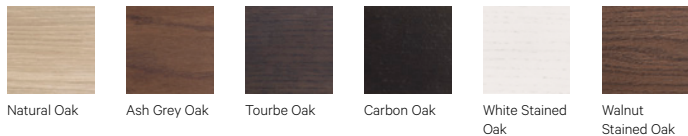
DIMENSIONS :



Non contractual document - modifiable without previous notice.

Finishes

Wood



Leather

G4: Gracia



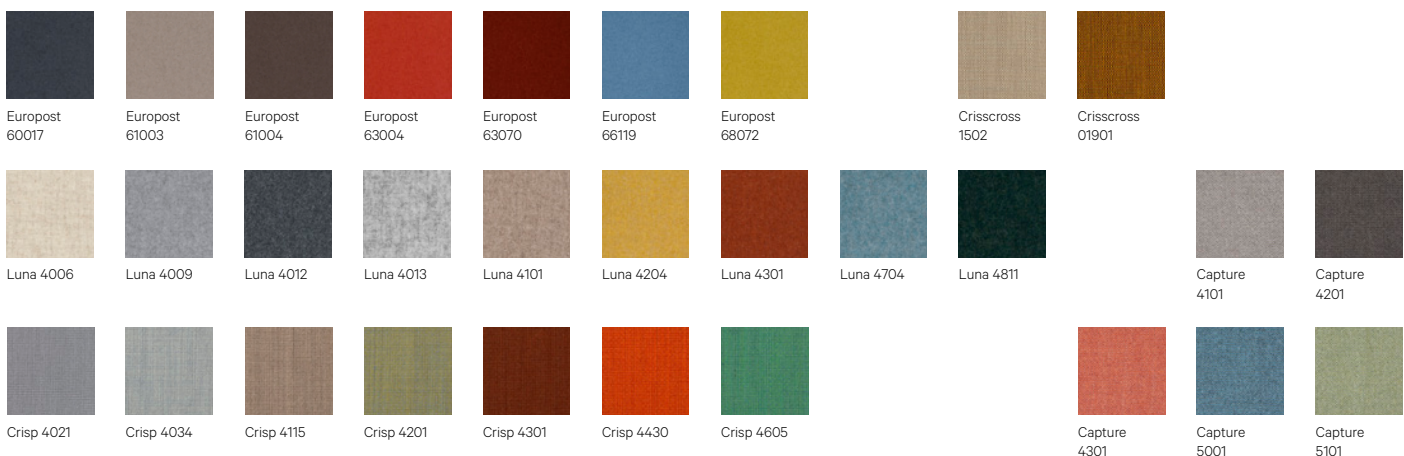
Eco Leather

G1: Palma | G2: Palma NF



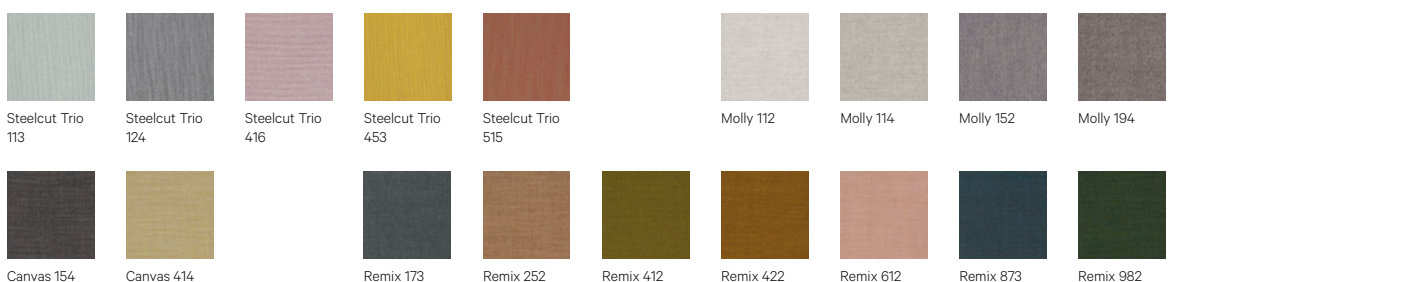
Fabrics by Gabriel

G1: Europost, Crisp, Capture | G2: Crisscross | G3: Luna



Fabrics by Kvadrat

G1: Remix | G2: Molly, Canvas | G3: Steelcut Trio



SEATING

Lounge Chairs

Lounge Chairs

TABLES

Low Tables



Low Tables

