

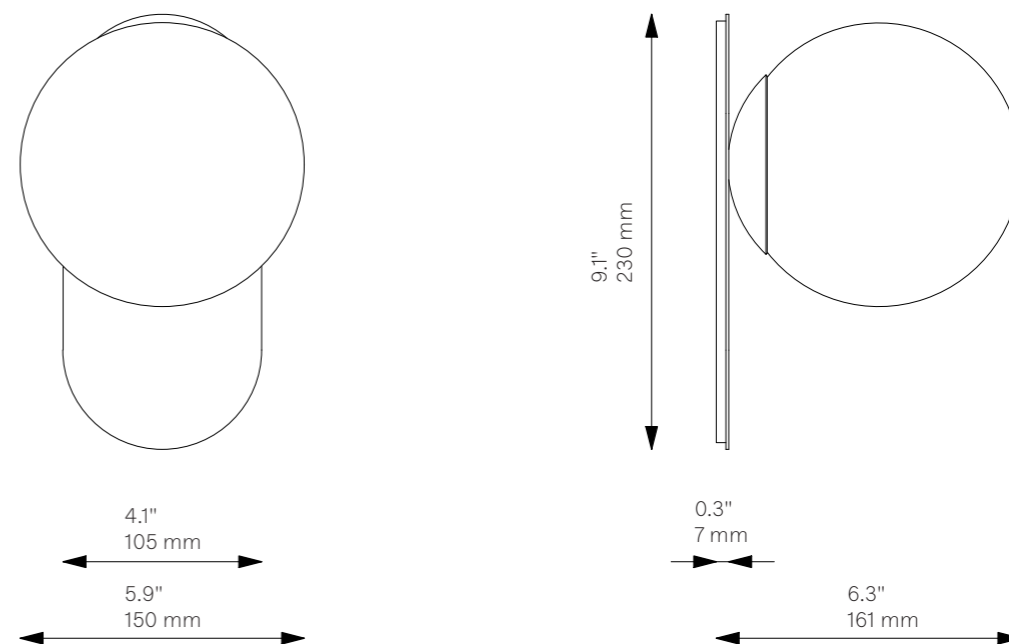


# Adrion SM <sup>New</sup>

Wall Sconce - B651



Globe Collection



<b>Glass Lampshades</b>	1 x Ø 150 mm / Ø 5.9" Soda Lime Triplex Opal Glass Soda Lime Marble Glass Borosilicate Transparent Glass
-------------------------	-------------------------------------------------------------------------------------------------------------------

<b>Weight</b>	1.4 kg / 3.1 lb
---------------	-----------------

<b>Light Source</b>	LED Bulb (included)	1 x 5 W
	Max Wattage	1 x 10 W
	Total Lumens	450-500 lm
	Color Temperature	2700 K
	Bulb Base	E14 / E12

Dimmable with electronic  
Dimmers only (ELV, trailing edge)

<b>Finishes</b>	LBB / Lacquered Burnished Brass BGM / Black Gunmetal PN / Polished Nickel
-----------------	---------------------------------------------------------------------------------

<b>CE/UL Certified</b>	CE/UL
------------------------	-------

<b>Ingress Protection</b>	IP 20
---------------------------	-------

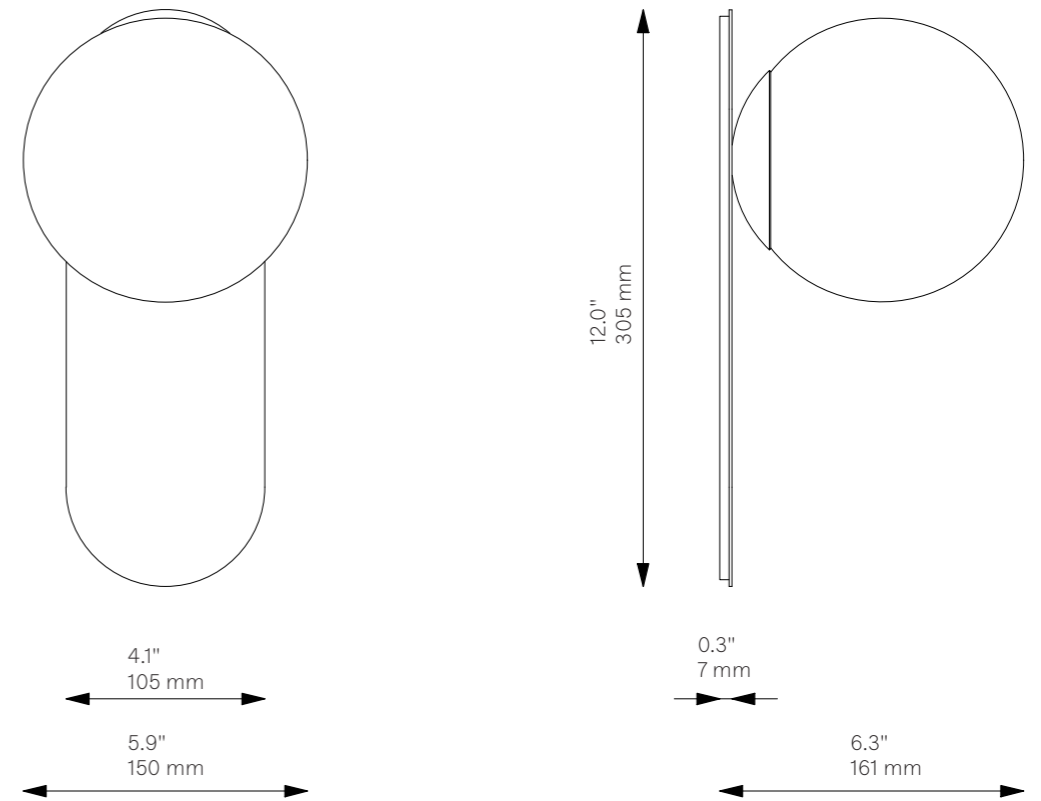


# Adrion MD <sup>New</sup>

Wall Sconce - B652



Globe Collection



<b>Glass Lampshades</b>	1 x Ø 150 mm / Ø 5.9" Soda Lime Triplex Opal Glass Soda Lime Marble Glass Borosilicate Transparent Glass
<b>Weight</b>	1.7 kg / 3.7 lb
<b>Light Source</b>	LED Bulb (included) 1 x 5 W Max Wattage 1 x 10 W Total Lumens 450-500 lm Color Temperature 2700 K Bulb Base E14 / E12  Dimmable with electronic Dimmers only (ELV, trailing edge)
<b>Finishes</b>	LBB / Lacquered Burnished Brass BGM / Black Gunmetal PN / Polished Nickel
<b>CE/UL Certified</b>	CE/UL
<b>Ingress Protection</b>	IP 20

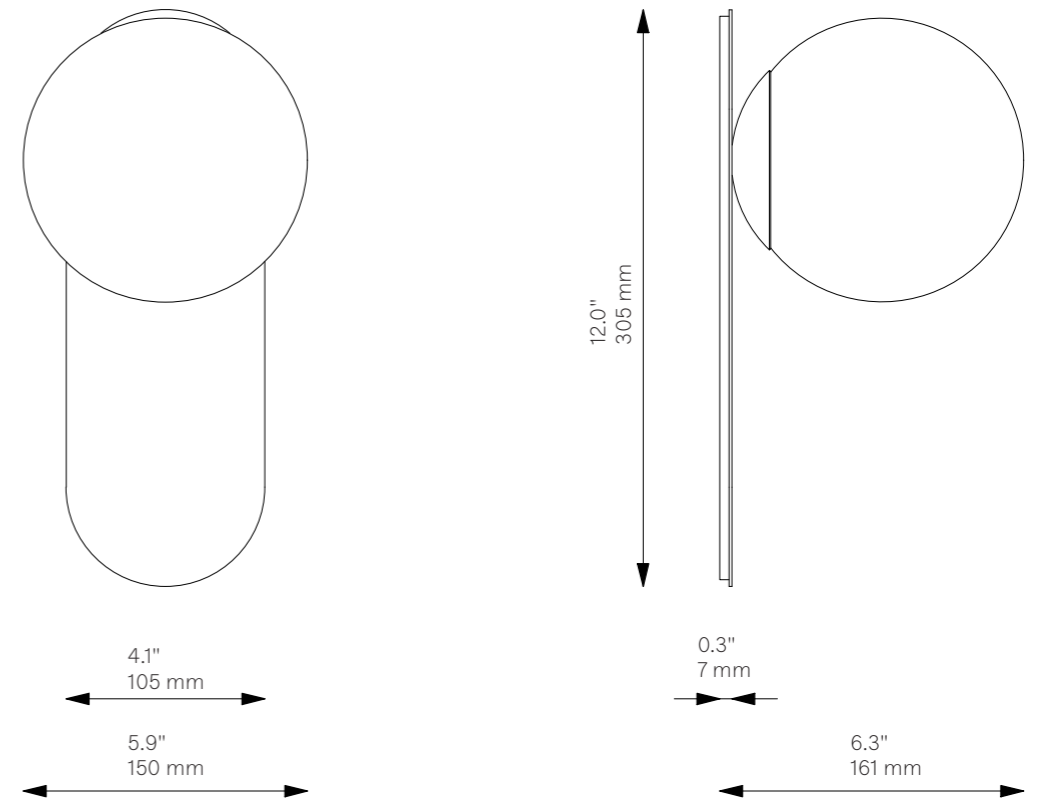


# Adrion LG <sup>New</sup>

Wall Sconce - B653

**+ design Nation**

Globe Collection



<b>Glass Lampshades</b>	1 x Ø 150 mm / Ø 5.9" Soda Lime Triplex Opal Glass Soda Lime Marble Glass Borosilicate Transparent Glass
-------------------------	-------------------------------------------------------------------------------------------------------------------

<b>Weight</b>	2.1 kg / 4.6 lb
---------------	-----------------

<b>Light Source</b>	LED Bulb (included) 1 x 5 W Max Wattage 1 x 10 W Total Lumens 450-500 lm Color Temperature 2700 K Bulb Base E14 / E12
---------------------	-----------------------------------------------------------------------------------------------------------------------------------

Dimmable with electronic  
Dimmers only (ELV, trailing edge)

<b>Finishes</b>	LBB / Lacquered Burnished Brass BGM / Black Gunmetal PN / Polished Nickel
-----------------	---------------------------------------------------------------------------------

<b>CE/UL Certified</b>	CE/UL
------------------------	-------

<b>Ingress Protection</b>	IP 20
---------------------------	-------